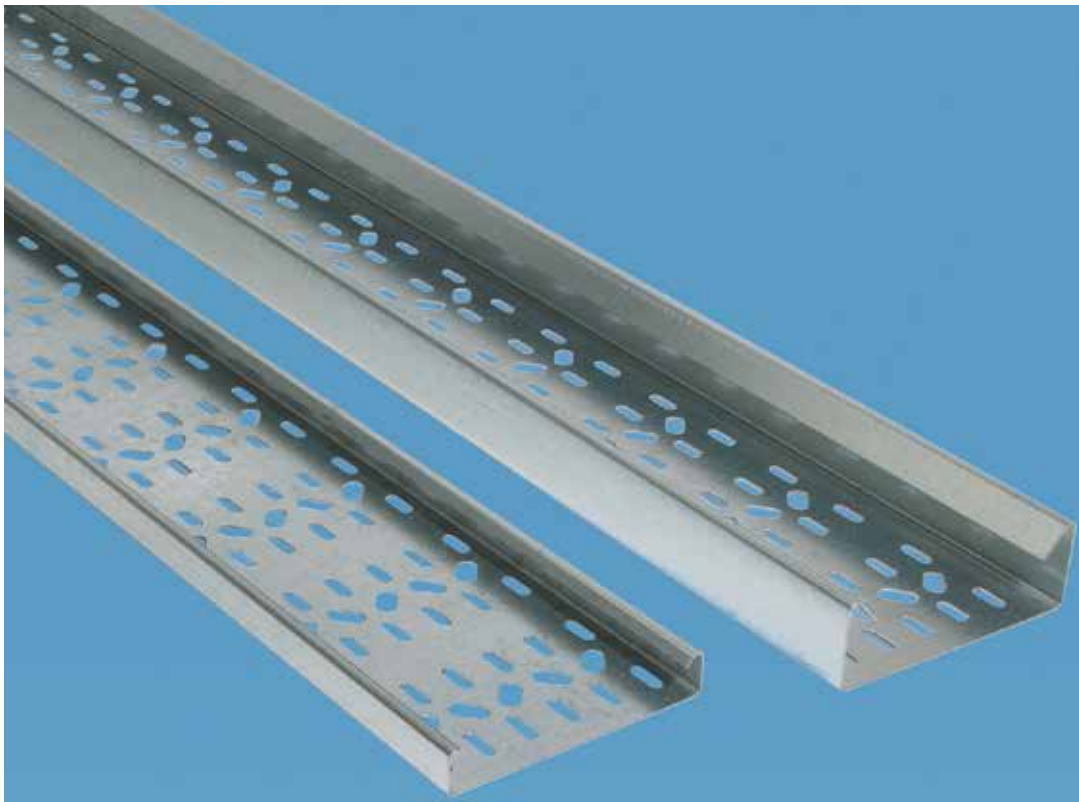


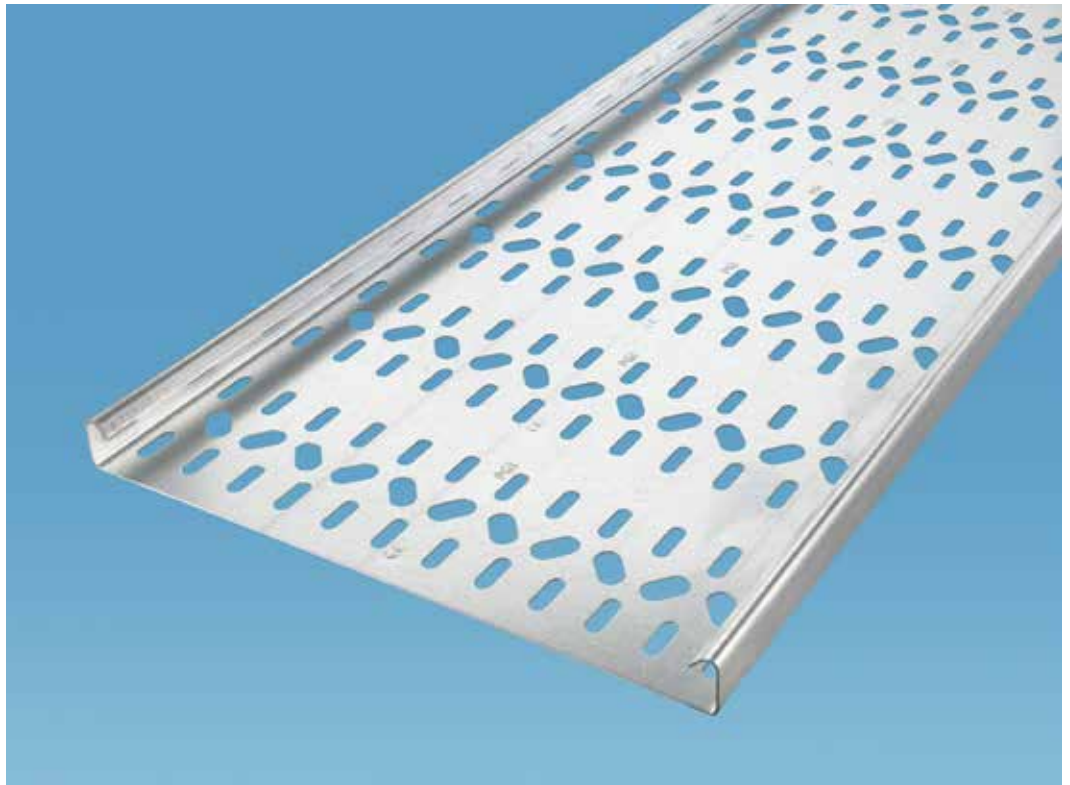


CABLE TRAY



CABLE TRAY

Medium Duty Return Flange Cable Tray



Flange Profile



Unique Slot Pattern

Cable clamps can be attached to the larger 20 x 11 slots using up to M10 fixings without drilling.

Longitudinal running 20 x 7 slots permit use of cable ties up to 20mm wide, correctly positioned across the width of the tray instead of staggered as with conventional patterns.

The tray length may be cut at any position along the 3 metre axis and can still be connected to any fitting or adjoining length without drilling.

CABLE TRAY

Tray Lengths

Product Code	Tray Width (mm)	Flange Height (mm)
MRL/50	50	25
MRL/75	75	25
MRL/100	100	25
MRL/150	150	25
MRL/225	225	25
MRL/300	300	25
MRL/450	450	25
MRL/600	600	25
MRL/750	750	25
MRL/900	900	25

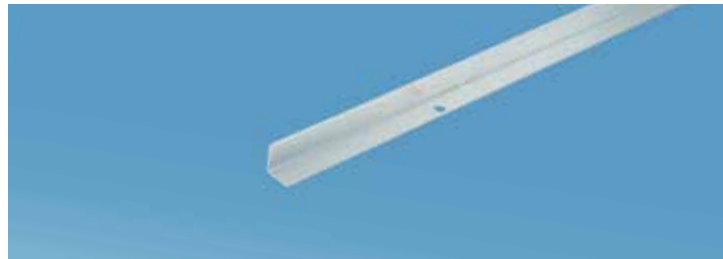
All 750 & 900mm Tray Lengths & Fittings are made to order.

		Code Suffix
BRITISH STANDARD	Complies with BS EN 61537	
FULL TECHNICAL SUBMITTAL AVAILABLE ON REQUEST		
STANDARD LENGTH	3.0 metres	
STANDARD FINISH	Hot-Dip Pre-Galvanised to BS EN 10346	/G
SPECIAL FINISH	Epoxy Powder Coated Black/White	/EP

Cable Tray Division

STANDARD LENGTH 3.0 metres

Made to Order



Product Code **MRDV**

Cable Tray Covers

STANDARD LENGTH 1.5 metres

Covers are available for the complete range, including fittings.

Add C to the start of the Product Code.

Supplied complete with fixings.

Made to Order



Product Code **CMRL**

CABLE TRAY

Coupler

Product Code **MRC**

Outside Couplers are supplied in pairs and should be ordered separately for each length of tray as required.



Cranked Coupler

Product Code **MRCC**

Outside Cranked Couplers are supplied in pairs with the correct number being supplied with each tray fitting.

(Also available as separate items.)

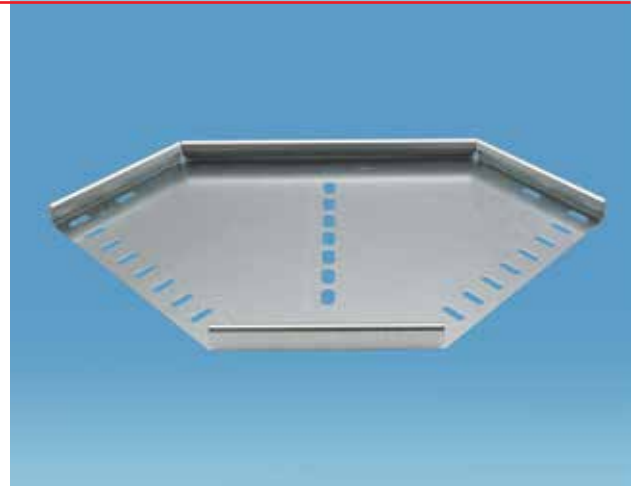


90° Flat Bend

Product Code **MRB**

Width (mm)	Product Code 90°
50	MRB/50/90
75	MRB/75/90
100	MRB/100/90
150	MRB/150/90
225	MRB/225/90
300	MRB/300/90
450	MRB/450/90
600	MRB/600/90
750	MRB/750/90
900	MRB/900/90

Flat Bend supplied with 2 x MRCC

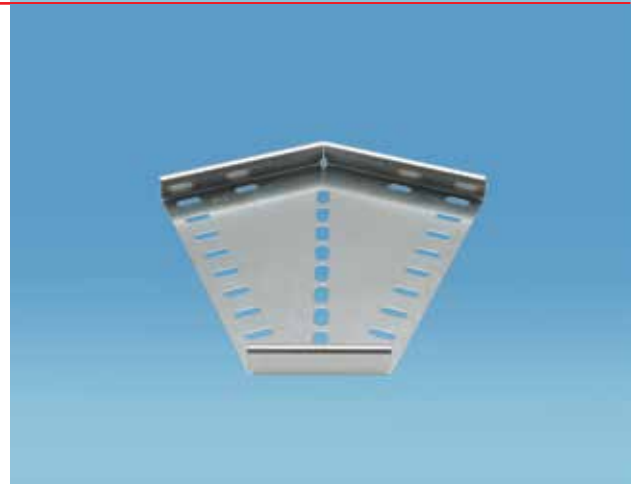


Flat Bend

Product Code **MRB**

Width (mm)	Product Code		
	30°	45°	60°
50	MRB/50/30	MRB/50/45	MRB/50/60
75	MRB/75/30	MRB/75/45	MRB/75/60
100	MRB/100/30	MRB/100/45	MRB/100/60
150	MRB/150/30	MRB/150/45	MRB/150/60
225	MRB/225/30	MRB/225/45	MRB/225/60
300	MRB/300/30	MRB/300/45	MRB/300/60
450	MRB/450/30	MRB/450/45	MRB/450/60
600	MRB/600/30	MRB/600/45	MRB/600/60
750	MRB/750/30	MRB/750/45	MRB/750/60
900	MRB/900/30	MRB/900/45	MRB/900/60

Flat Bend supplied with 2 x MRCC



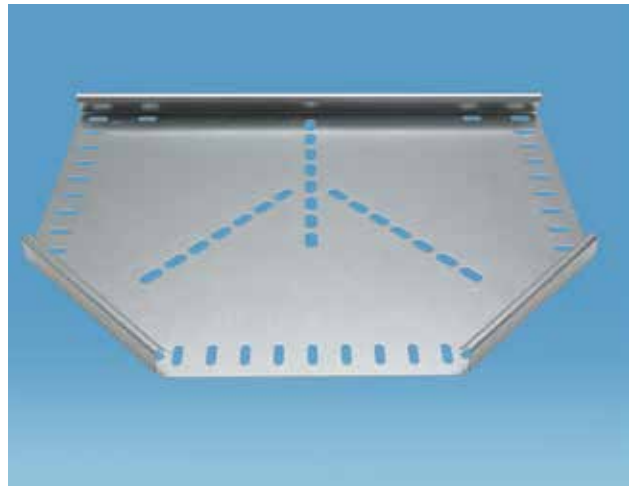
30° & 60° Flat Bends are Made to Order

CABLE TRAY

Equal Tee

Product Code **MRT**

Width (mm)	Product Code
50	MRT/50
75	MRT/75
100	MRT/100
150	MRT/150
225	MRT/225
300	MRT/300
450	MRT/450
600	MRT/600
750	MRT/750
900	MRT/900



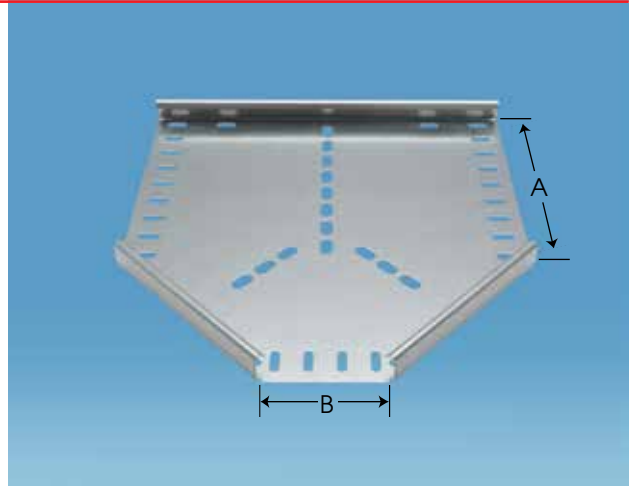
Equal Tee
supplied with
4 x MRCC

Unequal Tee

Product Code **MRUT**

PLEASE STATE A AND B TRAY WIDTHS WHEN ORDERING

Made to Order

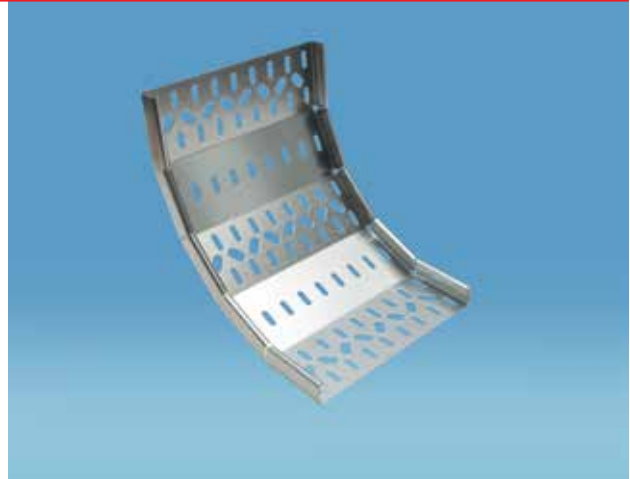


Unequal Tee
supplied with
4 x MRCC

Inside Riser

Product Code **MRIR**

Width (mm)	Product Code	
	90°	45°
50	MRIR/50/90	MRIR/50/45
75	MRIR/75/90	MRIR/75/45
100	MRIR/100/90	MRIR/100/45
150	MRIR/150/90	MRIR/150/45
225	MRIR/225/90	MRIR/225/45
300	MRIR/300/90	MRIR/300/45
450	MRIR/450/90	MRIR/450/45
600	MRIR/600/90	MRIR/600/45
750	MRIR/750/90	MRIR/750/45
900	MRIR/900/90	MRIR/900/45

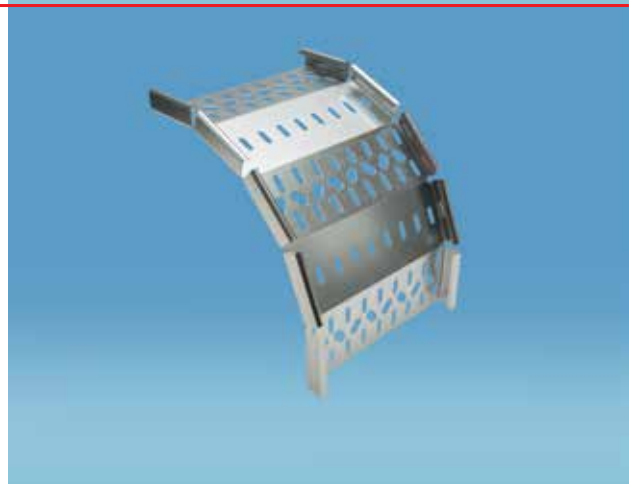


Inside Riser
supplied with
2 x MRC

Outside Riser

Product Code **MROR**

Width (mm)	Product Code	
	90°	45°
50	MROR/50/90	MROR/50/45
75	MROR/75/90	MROR/75/45
100	MROR/100/90	MROR/100/45
150	MROR/150/90	MROR/150/45
225	MROR/225/90	MROR/225/45
300	MROR/300/90	MROR/300/45
450	MROR/450/90	MROR/450/45
600	MROR/600/90	MROR/600/45
750	MROR/750/90	MROR/750/45
900	MROR/900/90	MROR/900/45



Outside Riser
supplied with
2 x MRC

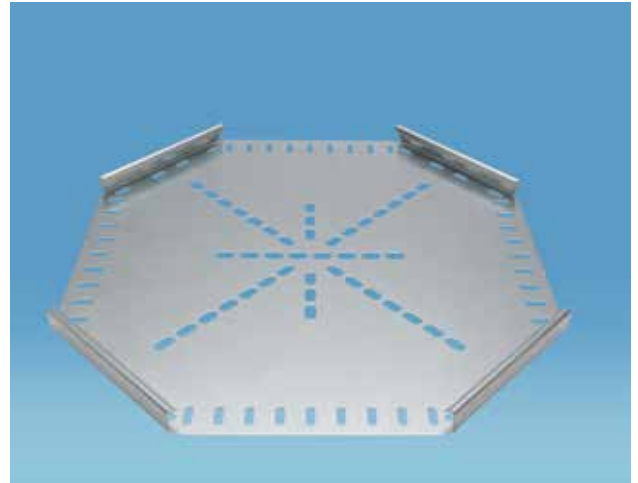
CABLE TRAY

4-Way Crosspiece

Product Code **MRX**

Width (mm)	Product Code
50	MRX/50
75	MRX/75
100	MRX/100
150	MRX/150
225	MRX/225
300	MRX/300
450	MRX/450
600	MRX/600
750	MRX/750
900	MRX/900

4-Way Crosspiece supplied with 8 x MRCC

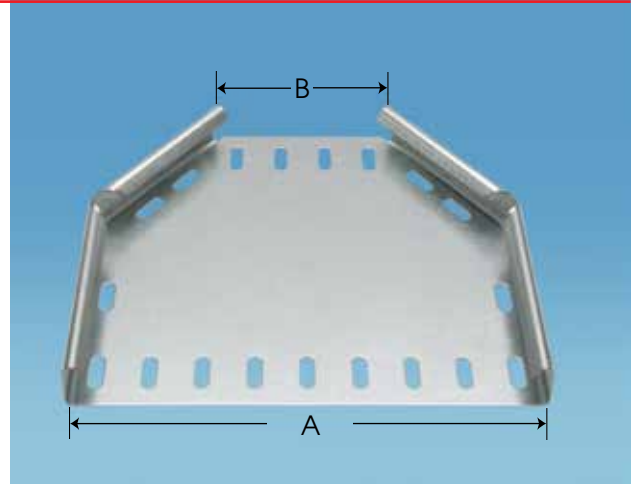


Reducer

Product Code **MRR**

Width 'B'	Width 'A'								
	75	100	150	225	300	450	600	750	900
50	MRR/75/50	MRR/100/50	MRR/150/50	MRR/225/50	MRR/300/50	MRR/450/50	MRR/600/50	MRR/750/50	MRR/900/50
75	-	MRR/100/75	MRR/150/75	MRR/225/75	MRR/300/75	MRR/450/75	MRR/600/75	MRR/750/75	MRR/900/75
100	-	-	MRR/150/100	MRR/225/100	MRR/300/100	MRR/450/100	MRR/600/100	MRR/750/100	MRR/900/100
150	-	-	-	MRR/225/150	MRR/300/150	MRR/450/150	MRR/600/150	MRR/750/150	MRR/900/150
225	-	-	-	-	MRR/300/225	MRR/450/225	MRR/600/225	MRR/750/225	MRR/900/225
300	-	-	-	-	-	MRR/450/300	MRR/600/300	MRR/750/300	MRR/900/300
450	-	-	-	-	-	-	MRR/600/450	MRR/750/450	MRR/900/450
600	-	-	-	-	-	-	-	MRR/750/600	MRR/900/600
750	-	-	-	-	-	-	-	-	MRR/900/750

Reducer supplied with 2x MRCC



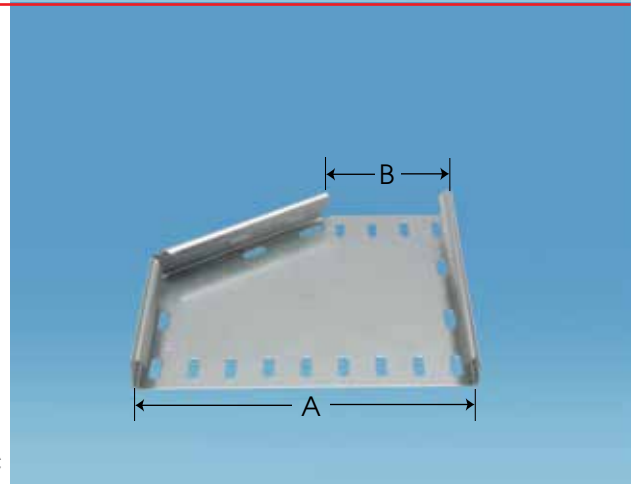
Offset Reducer - Left Hand

Product Code **MRLR**

Width 'B'	Width 'A'								
	75	100	150	225	300	450	600	750	900
50	MRLR/75/50	MRLR/100/50	MRLR/150/50	MRLR/225/50	MRLR/300/50	MRLR/450/50	MRLR/600/50	MRLR/750/50	MRLR/900/50
75	-	MRLR/100/75	MRLR/150/75	MRLR/225/75	MRLR/300/75	MRLR/450/75	MRLR/600/75	MRLR/750/75	MRLR/900/75
100	-	-	MRLR/150/100	MRLR/225/100	MRLR/300/100	MRLR/450/100	MRLR/600/100	MRLR/750/100	MRLR/900/100
150	-	-	-	MRLR/225/150	MRLR/300/150	MRLR/450/150	MRLR/600/150	MRLR/750/150	MRLR/900/150
225	-	-	-	-	MRLR/300/225	MRLR/450/225	MRLR/600/225	MRLR/750/225	MRLR/900/225
300	-	-	-	-	-	MRLR/450/300	MRLR/600/300	MRLR/750/300	MRLR/900/300
450	-	-	-	-	-	-	MRLR/600/450	MRLR/750/450	MRLR/900/450
600	-	-	-	-	-	-	-	MRLR/750/600	MRLR/900/600
750	-	-	-	-	-	-	-	-	MRLR/900/750

Made to Order

Reducer supplied with 2x MRCC



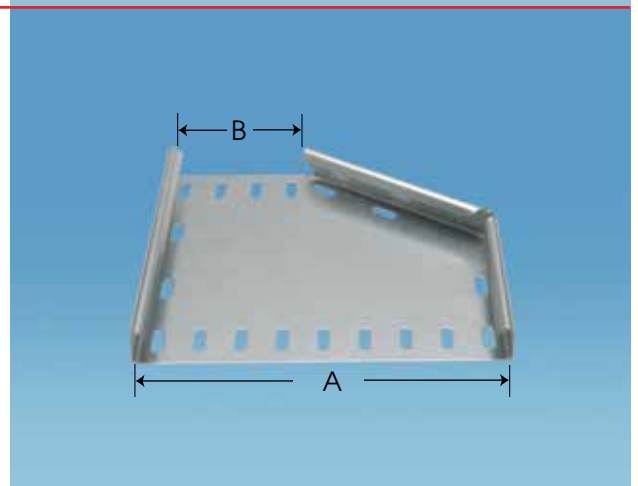
Offset Reducer - Right Hand

Product Code **MRRR**

Width 'B'	Width 'A'								
	75	100	150	225	300	450	600	750	900
50	MRRR/75/50	MRRR/100/50	MRRR/150/50	MRRR/225/50	MRRR/300/50	MRRR/450/50	MRRR/600/50	MRRR/750/50	MRRR/900/50
75	-	MRRR/100/75	MRRR/150/75	MRRR/225/75	MRRR/300/75	MRRR/450/75	MRRR/600/75	MRRR/750/75	MRRR/900/75
100	-	-	MRRR/150/100	MRRR/225/100	MRRR/300/100	MRRR/450/100	MRRR/600/100	MRRR/750/100	MRRR/900/100
150	-	-	-	MRRR/225/150	MRRR/300/150	MRRR/450/150	MRRR/600/150	MRRR/750/150	MRRR/900/150
225	-	-	-	-	MRRR/300/225	MRRR/450/225	MRRR/600/225	MRRR/750/225	MRRR/900/225
300	-	-	-	-	-	MRRR/450/300	MRRR/600/300	MRRR/750/300	MRRR/900/300
450	-	-	-	-	-	-	MRRR/600/450	MRRR/750/450	MRRR/900/450
600	-	-	-	-	-	-	-	MRRR/750/600	MRRR/900/600
750	-	-	-	-	-	-	-	-	MRRR/900/750

Made to Order

Reducer supplied with 2 x MRCC



CABLE TRAY ACCESSORIES

Overhead Hanger

Product Code **OHH**

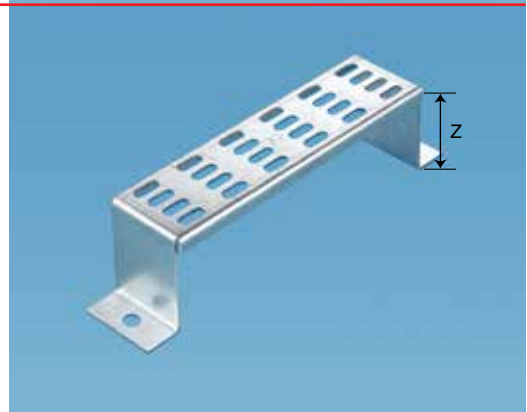
Width (mm)	Product Code
50	OHH/50
75	OHH/75
100	OHH/100
150	OHH/150
225	OHH/225
300	OHH/300



Stand-off Bracket

Product Code **CA107**

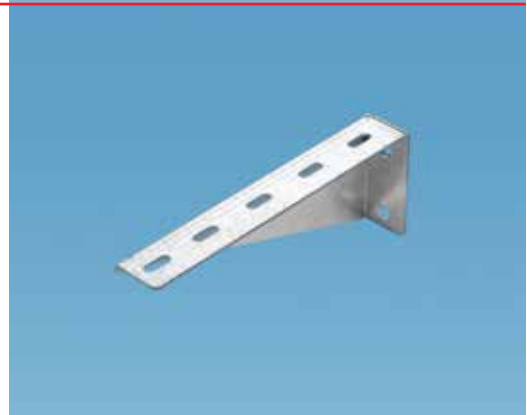
Width (mm)	Product Code	Z mm
50	CA107/50	25
75	CA107/75	25
100	CA107/100	50
150	CA107/150	50
225	CA107/225	75
300	CA107/300	75
450	CA107/450	75
600	CA107/600	75
750	CA107/750	75
900	CA107/900	75



Cantilever Arm

Product Code **CA106**

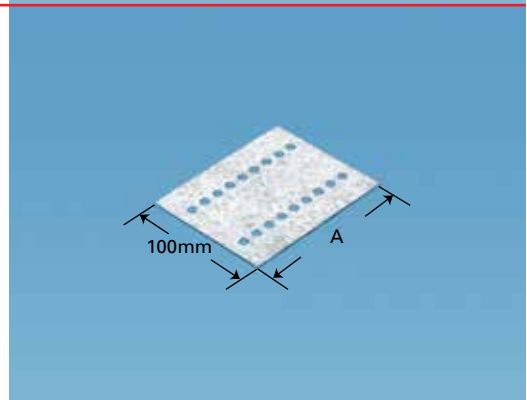
Width (mm)	Product Code
100	CA106/100
150	CA106/150
225	CA106/225
300	CA106/300
450	CA106/450
600	CA106/600
750	CA106/750
900	CA106/900



Fishplate

Product Code **FPC**

Width (mm)	Product Code	A mm
150	FPC/150	75
225	FPC/225	150
300	FPC/300	225
450	FPC/450	375
600	FPC/600	525
750	FPC/750	675
900	FPC/900	825



Cover Bracket

Product Code **MR/BRK**



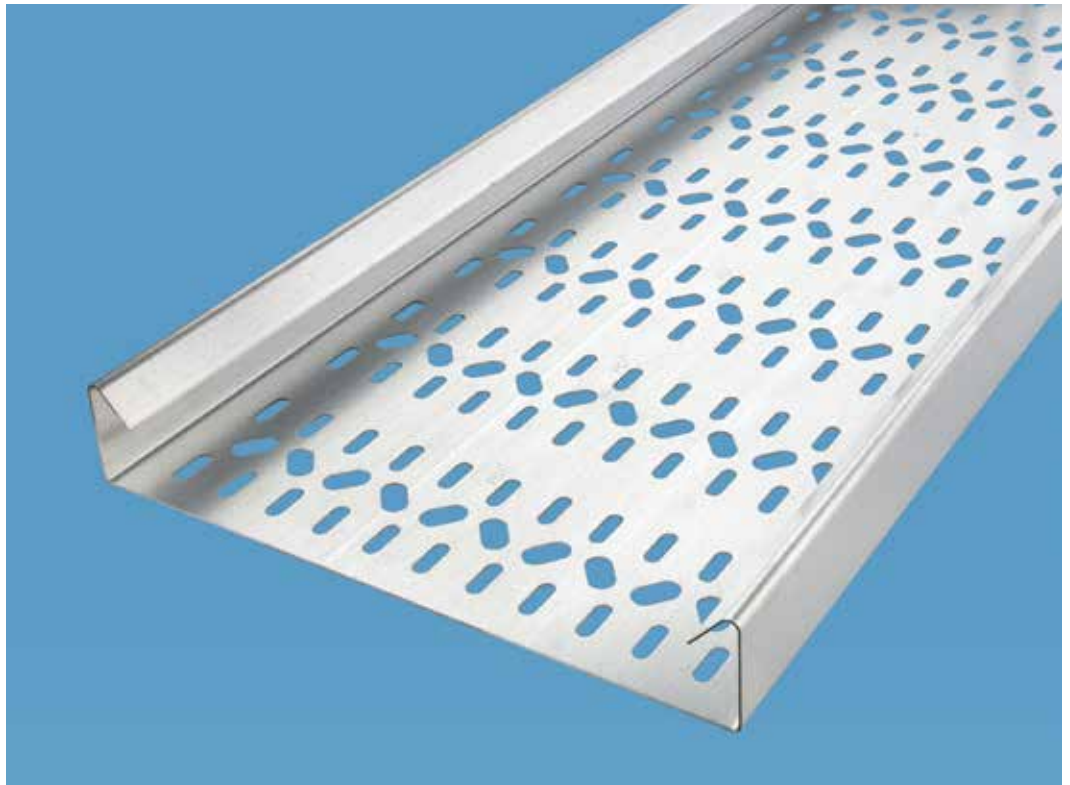
Earth Continuity Connector

Product Code **TECC100**

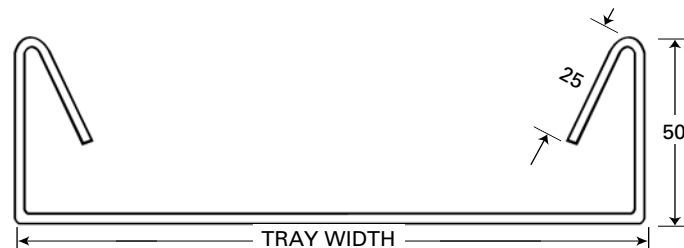


CABLE TRAY

Heavy Duty Return Flange Cable Tray



Flange Profile



Unique Slot Pattern

Cable clamps can be attached to the larger 20 x 11 slots using up to M10 fixings without drilling.

Longitudinal running 20 x 7 slots permit use of cable ties up to 20mm wide, correctly positioned across the width of the tray instead of staggered as with conventional patterns.

The tray length may be cut at any position along the 3 metre axis and can still be connected to any fitting or adjoining length without drilling.

CABLE TRAY

Tray Lengths

Product Code	Tray Width (mm)	Flange Height (mm)
HRL/75	75	50
HRL/100	100	50
HRL/150	150	50
HRL/225	225	50
HRL/300	300	50
HRL/450	450	50
HRL/600	600	50
HRL/750	750	50
HRL/900	900	50

		Code Suffix
BRITISH STANDARD	Complies with BS EN 61537	
FULL TECHNICAL SUBMITTAL AVAILABLE ON REQUEST		
STANDARD LENGTH	3.0 metres	
STANDARD FINISH	Hot-Dip Pre-Galvanised to BS EN 10346	/G
SPECIAL FINISH	Epoxy Powder Coated Black/White	/EP

Cable Tray Division

STANDARD LENGTH 3.0 metres

Made to Order



Product Code **HRDV**

Cable Tray Covers

STANDARD LENGTH 1.5 metres

Covers are available for the complete range, including fittings.

Add C to the start of the Product Code.

Supplied complete with fixings.

Made to Order



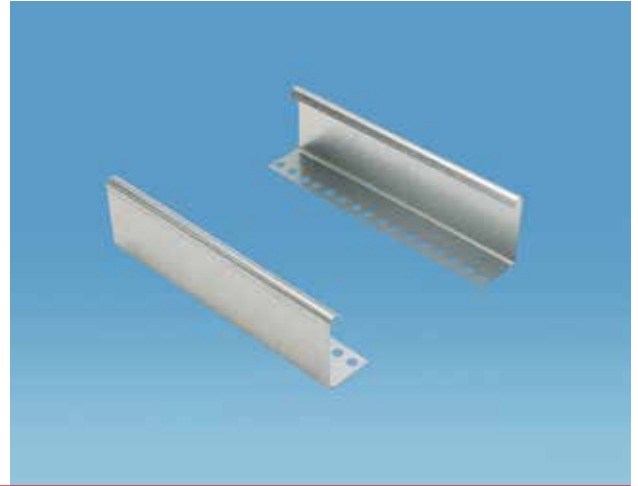
Product Code **CHRL**

CABLE TRAY

Coupler

Product Code **HRC**

Outside Couplers are supplied in pairs and should be ordered separately for each length of tray as required.



Cranked Coupler

Product Code **HRCC**

Outside Cranked Couplers are supplied in pairs with the correct number being supplied with each tray fitting.

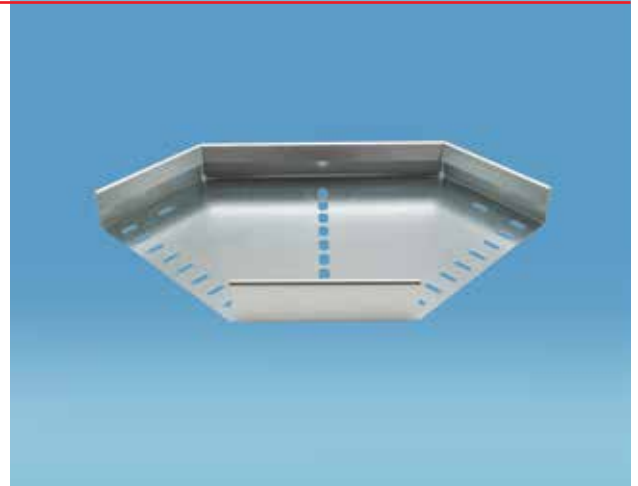
(Also available as separate items.)



90° Flat Bend

Product Code **HRB**

Width (mm)	Product Code 90°
75	HRB/75/90
100	HRB/100/90
150	HRB/150/90
225	HRB/225/90
300	HRB/300/90
450	HRB/450/90
600	HRB/600/90
750	HRB/750/90
900	HRB/900/90



Flat Bend supplied with 2 x HRCC

Flat Bend

Product Code **HRB**

Width (mm)	Product Code		
	30°	45°	60°
75	HRB/75/30	HRB/75/45	HRB/75/60
100	HRB/100/30	HRB/100/45	HRB/100/60
150	HRB/150/30	HRB/150/45	HRB/150/60
225	HRB/225/30	HRB/225/45	HRB/225/60
300	HRB/300/30	HRB/300/45	HRB/300/60
450	HRB/450/30	HRB/450/45	HRB/450/60
600	HRB/600/30	HRB/600/45	HRB/600/60
750	HRB/750/30	HRB/750/45	HRB/750/60
900	HRB/900/30	HRB/900/45	HRB/900/60



Flat Bend supplied with 2 x HRCC

30° & 60° Flat Bends are Made to Order

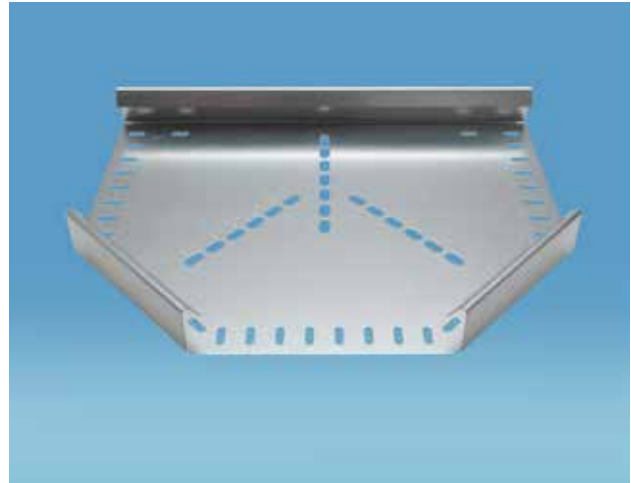
CABLE TRAY

Equal Tee

Product Code **HRT**

Width (mm)	Product Code
75	HRT/75
100	HRT/100
150	HRT/150
225	HRT/225
300	HRT/300
450	HRT/450
600	HRT/600
750	HRT/750
900	HRT/900

Equal Tee supplied with 4 x HRCC



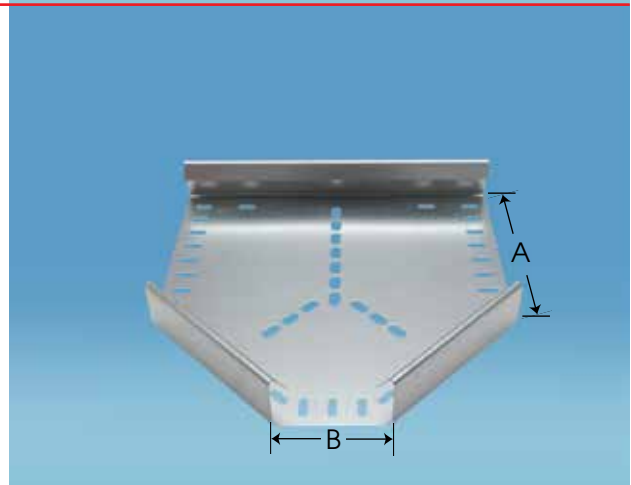
Unequal Tee

Product Code **HRUT**

PLEASE STATE A AND B TRAY WIDTHS WHEN ORDERING

Made to Order

Unequal Tee supplied with 4 x HRCC

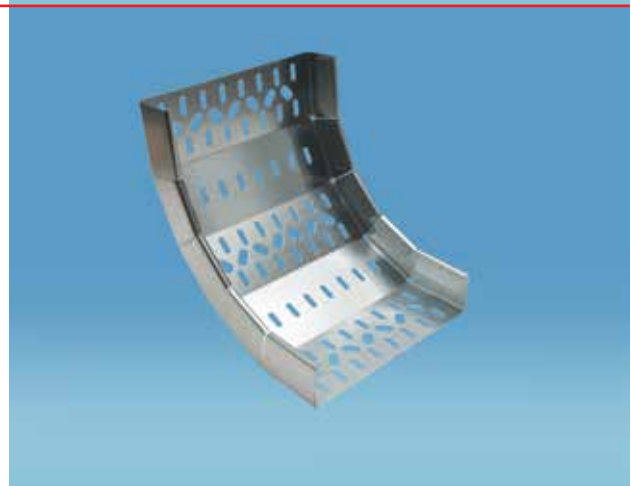


Inside Riser

Product Code **HRIR**

Width (mm)	Product Code	
	90°	45°
75	HRIR/75/90	HRIR/75/45
100	HRIR/100/90	HRIR/100/45
150	HRIR/150/90	HRIR/150/45
225	HRIR/225/90	HRIR/225/45
300	HRIR/300/90	HRIR/300/45
450	HRIR/450/90	HRIR/450/45
600	HRIR/600/90	HRIR/600/45
750	HRIR/750/90	HRIR/750/45
900	HRIR/900/90	HRIR/900/45

Inside Riser supplied with 2 x HRC



Outside Riser

Product Code **HROR**

Width (mm)	Product Code	
	90°	45°
75	HROR/75/90	HROR/75/45
100	HROR/100/90	HROR/100/45
150	HROR/150/90	HROR/150/45
225	HROR/225/90	HROR/225/45
300	HROR/300/90	HROR/300/45
450	HROR/450/90	HROR/450/45
600	HROR/600/90	HROR/600/45
750	HROR/750/90	HROR/750/45
900	HROR/900/90	HROR/900/45

Outside Riser supplied with 2 x HRC



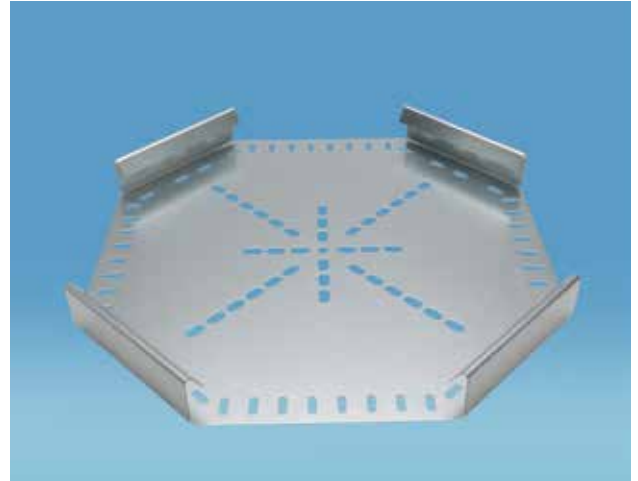
CABLE TRAY

4-Way Crosspiece

Product Code **HRX**

Width (mm)	Product Code
75	HRX/75
100	HRX/100
150	HRX/150
225	HRX/225
300	HRX/300
450	HRX/450
600	HRX/600
750	HRX/750
900	HRX/900

4-Way Crosspiece supplied with 8 x HRCC

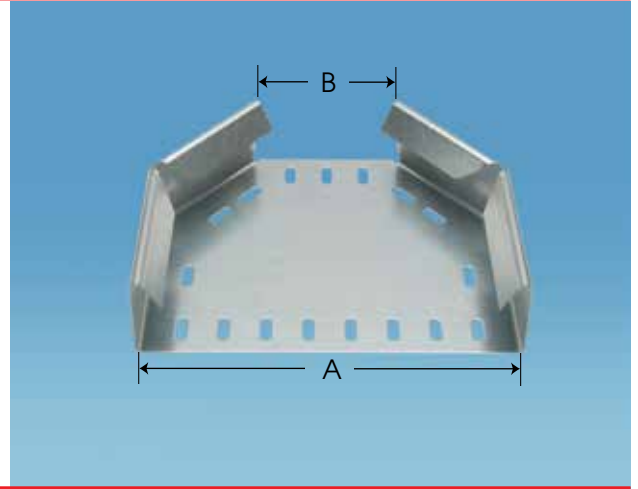


Reducer

Product Code **HRR**

	Width 'A'								
	75	100	150	225	300	450	600	750	900
75	-	HRR/100/75	HRR/150/75	HRR/225/75	HRR/300/75	HRR/450/75	HRR/600/75	HRR/750/75	HRR/900/75
100	-	-	HRR/150/100	HRR/225/100	HRR/300/100	HRR/450/100	HRR/600/100	HRR/750/100	HRR/900/100
150	-	-	-	HRR/225/150	HRR/300/150	HRR/450/150	HRR/600/150	HRR/750/150	HRR/900/150
225	-	-	-	-	HRR/300/225	HRR/450/225	HRR/600/225	HRR/750/225	HRR/900/225
300	-	-	-	-	-	HRR/450/300	HRR/600/300	HRR/750/300	HRR/900/300
450	-	-	-	-	-	-	HRR/600/450	HRR/750/450	HRR/900/450
600	-	-	-	-	-	-	-	HRR/750/600	HRR/900/600
750	-	-	-	-	-	-	-	-	HRR/900/750

Reducer supplied with 2 x HRCC



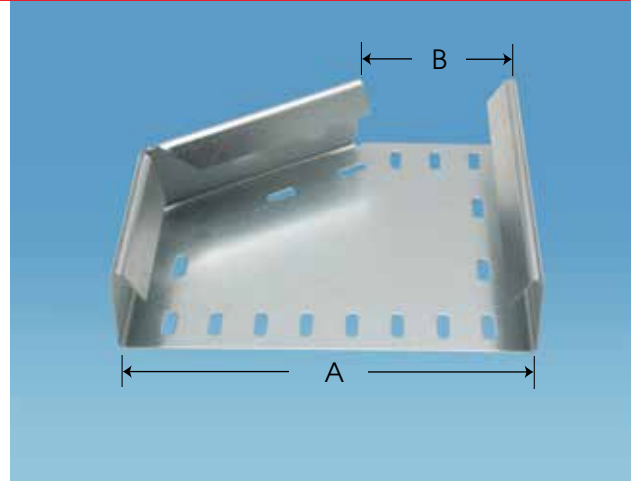
Offset Reducer - Left Hand

Product Code **HRLR**

	Width 'A'								
	75	100	150	225	300	450	600	750	900
75	-	HRLR/100/75	HRLR/150/75	HRLR/225/75	HRLR/300/75	HRLR/450/75	HRLR/600/75	HRLR/750/75	HRLR/900/75
100	-	-	HRLR/150/100	HRLR/225/100	HRLR/300/100	HRLR/450/100	HRLR/600/100	HRLR/750/100	HRLR/900/100
150	-	-	-	HRLR/225/150	HRLR/300/150	HRLR/450/150	HRLR/600/150	HRLR/750/150	HRLR/900/150
225	-	-	-	-	HRLR/300/225	HRLR/450/225	HRLR/600/225	HRLR/750/225	HRLR/900/225
300	-	-	-	-	-	HRLR/450/300	HRLR/600/300	HRLR/750/300	HRLR/900/300
450	-	-	-	-	-	-	HRLR/600/450	HRLR/750/450	HRLR/900/450
600	-	-	-	-	-	-	-	HRLR/750/600	HRLR/900/600
750	-	-	-	-	-	-	-	-	HRLR/900/750

Made to Order

Reducer supplied with 2 x HRCC



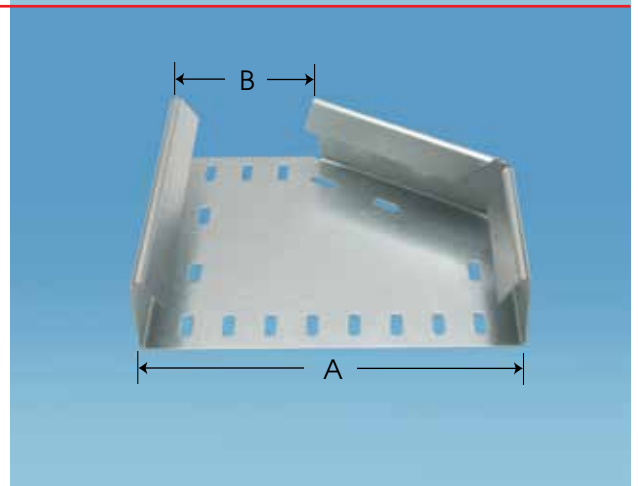
Offset Reducer - Right Hand

Product Code **HRRR**

	Width 'A'								
	75	100	150	225	300	450	600	750	900
75	-	HRRR/100/75	HRRR/150/75	HRRR/225/75	HRRR/300/75	HRRR/450/75	HRRR/600/75	HRRR/750/75	HRRR/900/75
100	-	-	HRRR/150/100	HRRR/225/100	HRRR/300/100	HRRR/450/100	HRRR/600/100	HRRR/750/100	HRRR/900/100
150	-	-	-	HRRR/225/150	HRRR/300/150	HRRR/450/150	HRRR/600/150	HRRR/750/150	HRRR/900/150
225	-	-	-	-	HRRR/300/225	HRRR/450/225	HRRR/600/225	HRRR/750/225	HRRR/900/225
300	-	-	-	-	-	HRRR/450/300	HRRR/600/300	HRRR/750/300	HRRR/900/300
450	-	-	-	-	-	-	HRRR/600/450	HRRR/750/450	HRRR/900/450
600	-	-	-	-	-	-	-	HRRR/750/600	HRRR/900/600
750	-	-	-	-	-	-	-	-	HRRR/900/750

Made to Order

Reducer supplied with 2 x HRCC



CABLE TRAY ACCESSORIES

Overhead Hanger

Product Code **OHH**

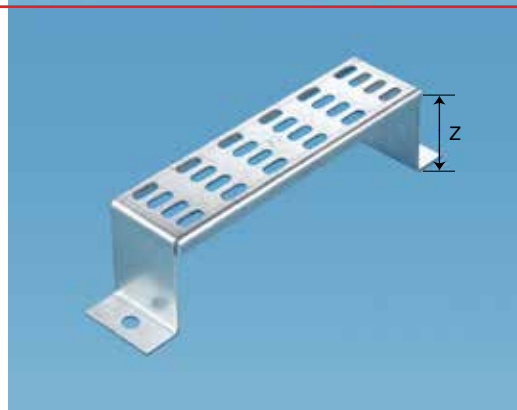
Width (mm)	Product Code
50	OHH/50
75	OHH/75
100	OHH/100
150	OHH/150
225	OHH/225
300	OHH/300



Stand-off Bracket

Product Code **CA107**

Width (mm)	Product Code	Z mm
50	CA107/50	25
75	CA107/75	25
100	CA107/100	50
150	CA107/150	50
225	CA107/225	75
300	CA107/300	75
450	CA107/450	75
600	CA107/600	75
750	CA107/750	75
900	CA107/900	75



Cantilever Arm

Product Code **CA106**

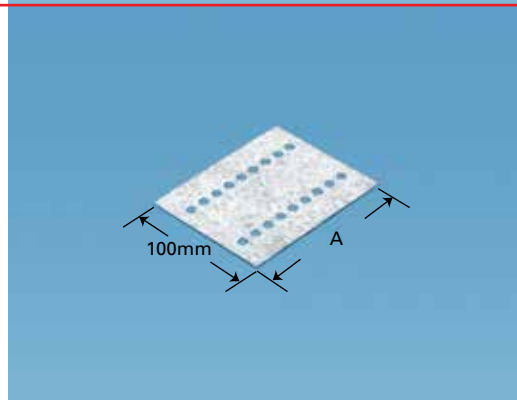
Width (mm)	Product Code
100	CA106/100
150	CA106/150
225	CA106/225
300	CA106/300
450	CA106/450
600	CA106/600
750	CA106/750
900	CA106/900



Fishplate

Product Code **FPC**

Width (mm)	Product Code	A mm
150	FPC/150	75
225	FPC/225	150
300	FPC/300	225
450	FPC/450	375
600	FPC/600	525
750	FPC/750	675
900	FPC/900	825



Cover Bracket

Product Code **HR/BRK**

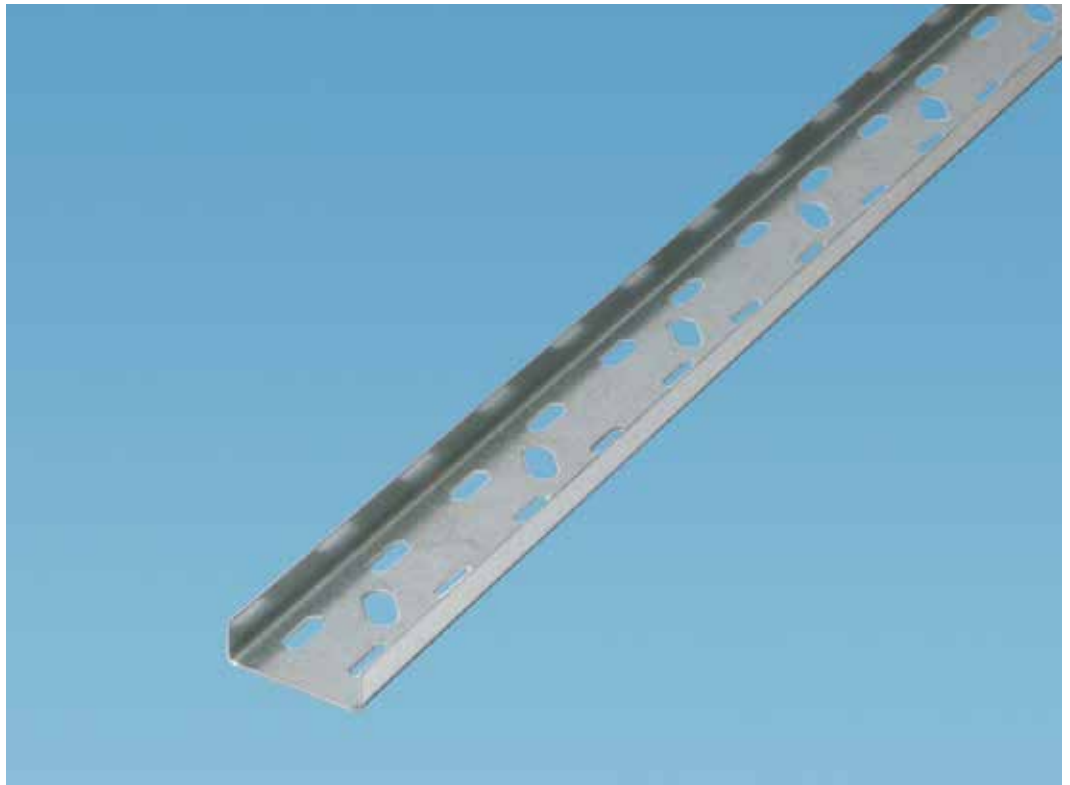


Earth Continuity Connector

Product Code **TECC100**



Standard Vertical Flange Cable Tray



Flange Profile



Unique Slot Pattern

Cable clamps can be attached to the larger 20 x 11 slots using up to M10 fixings without drilling.

Longitudinal running 20 x 7 slots permit use of cable ties up to 20mm wide, correctly positioned across the width of the tray instead of staggered as with conventional patterns.

The tray length may be cut at any position along the 3 metre axis and can still be connected to any fitting or adjoining length without drilling.

CABLE TRAY

Tray Lengths

Product Code	Tray Width (mm)	Flange Height (mm)
SVL/50	50	15

		Code Suffix
BRITISH STANDARD	Complies with BS EN 61537	
FULL TECHNICAL SUBMITTAL AVAILABLE ON REQUEST		
STANDARD LENGTH	3.0 metres	
STANDARD FINISH	Hot-Dip Pre-Galvanised to BS EN 10346	/G
SPECIAL FINISH	Epoxy Powder Coated Black/White	/EP

Cable Tray Covers

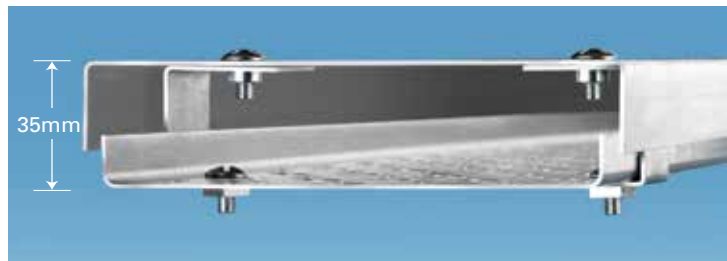
STANDARD LENGTH 1.5 metres

Covers are available for the complete range, including fittings.

Add C to the start of the Product Code.

Supplied complete with fixings.

Made to Order



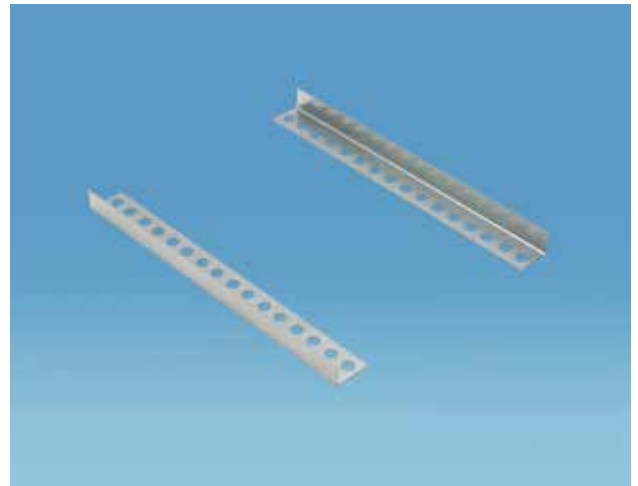
Cover CSVL

CABLE TRAY

Coupler

Product Code **SVC**

Outside Couplers are supplied in pairs and should be ordered per length of tray as required.



Cranked Coupler

Product Code **SVCC**

Outside Cranked Couplers are supplied in pairs with the correct number being supplied with each tray fitting.

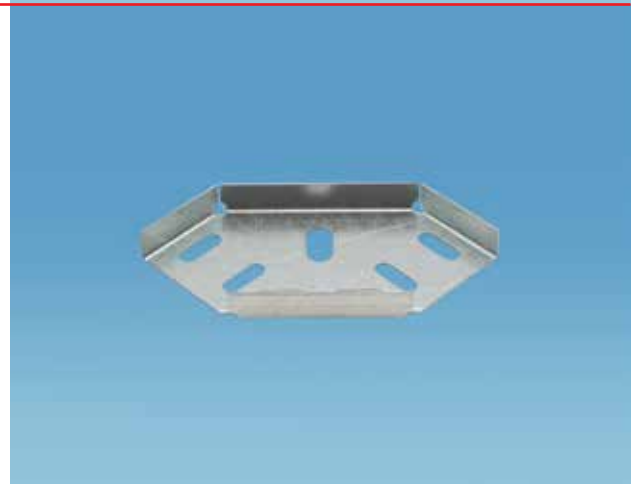
(Also available as separate items.)



Flat Bend

Product Code **SVB**

Width (mm)	Product Code	
	90°	45°
50	SVB/50/90	SVB/50/45



Flat Bend supplied with 2 x SVCC

Equal Tee

Product Code **SVT**

Width (mm)	Product Code
50	SVT/50



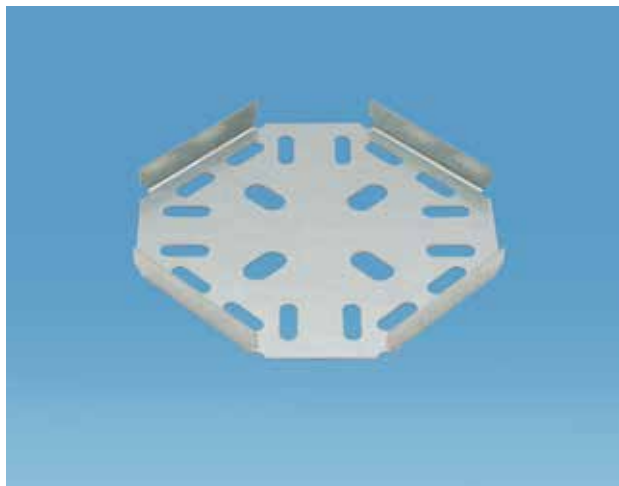
Equal Tee supplied with 4 x SVCC

CABLE TRAY

4-Way Crosspiece

Product Code **SVX**

Width (mm)	Product Code
50	SVX/50

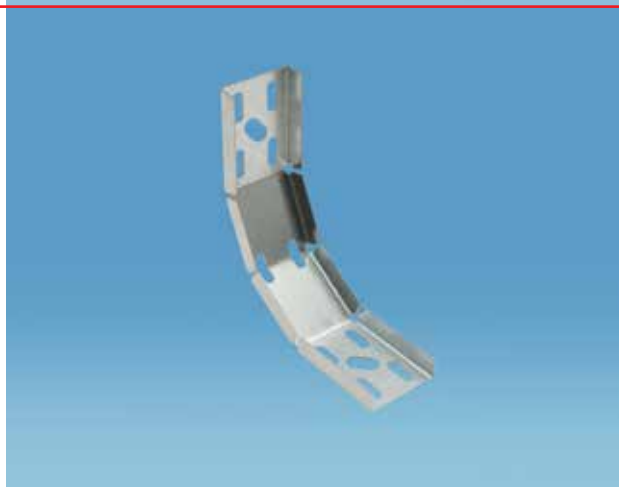


4-Way Crosspiece
supplied with
8 x SVCC

Inside Riser

Product Code **SVIR**

Width (mm)	Product Code	
	90°	45°
50	SVIR/50/90	SVIR/50/45



Inside Riser
supplied with
2 x SVC

Outside Riser

Product Code **SVOR**

Width (mm)	Product Code	
	90°	45°
50	SVOR/50/90	SVOR/50/45



Outside Riser
supplied with
2 x SVC

CABLE TRAY ACCESSORIES

Overhead Hanger

Product Code **OHH**

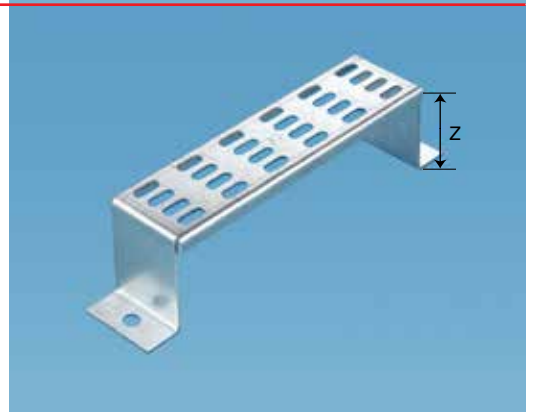
Width (mm)	Product Code
50	OHH/50
75	OHH/75
100	OHH/100
150	OHH/150
225	OHH/225
300	OHH/300



Stand-off Bracket

Product Code **CA107**

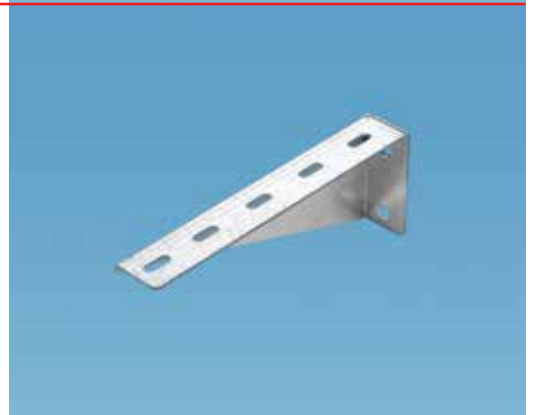
Width (mm)	Product Code	Z mm
50	CA107/50	25
75	CA107/75	25
100	CA107/100	50
150	CA107/150	50
225	CA107/225	75
300	CA107/300	75
450	CA107/450	75
600	CA107/600	75
750	CA107/750	75
900	CA107/900	75



Cantilever Arm

Product Code **CA106**

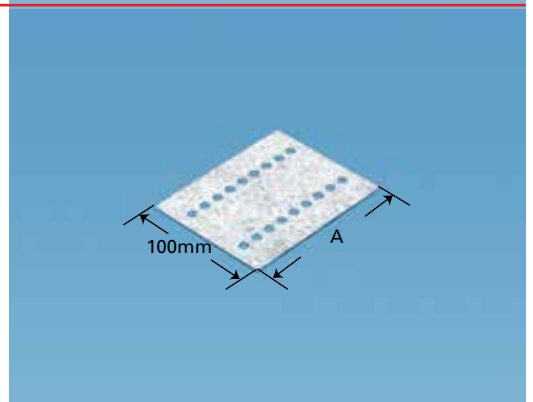
Width (mm)	Product Code
100	CA106/100
150	CA106/150
225	CA106/225
300	CA106/300
450	CA106/450
600	CA106/600
750	CA106/750
900	CA106/900



Fishplate

Product Code **FPC**

Width (mm)	Product Code	A mm
150	FPC/150	75
225	FPC/225	150
300	FPC/300	225
450	FPC/450	375
600	FPC/600	525
750	FPC/750	675
900	FPC/900	825



Cover Bracket

Product Code **SV/BRK**



Earth Continuity Connector

Product Code **TECC100**

